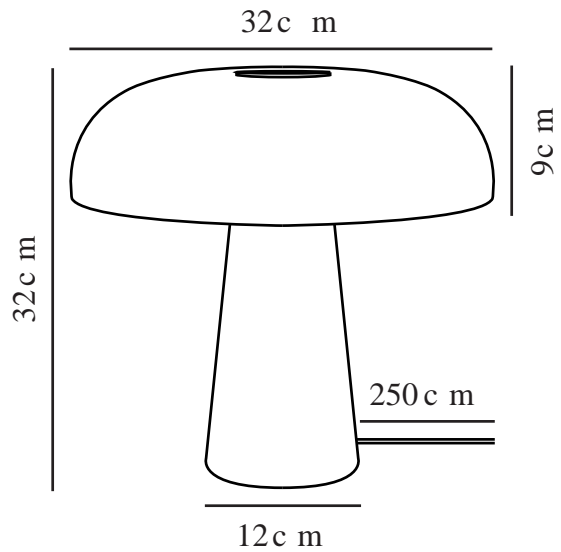


# GLOSSY | TABLE LAMP | OPAL WHITE

2020505001



Voltage (V): 230 Volt  
IP degree: IP20  
Maximum bulb wattage (W): 15W  
Class (Class 1, Class 2, Class 3):  
Class 2 (Double isolated)  
Socket type: E27  
Switch placement: On the cable

Primary material: Marble  
Secondary material: Glass  
Colour of the cable: White  
Length of the cable (cm): 250  
Surface material of the cable:  
Textile  
Is the cable replaceable: False  
Colour: Opal white

Height (cm): 32  
Width (cm): 32  
Shade Diameter (cm): 32  
Shade Height (cm): 9  
Outdoor base dimension (cm): 12  
Length (cm): 32

EAN: 5704924001024  
Item Number: 2020505001  
Pcs Per Master Carton: 2

Sales Box Height (cm): 18.5  
Sales Box Width (cm): 60  
Sales Box Depth (cm): 40  
Sales Box Volume m<sup>3</sup>: 0.0444  
Product net weight (kg): 4.47

- Sophisticated and clean design
- Exclusive marble, glass and brushed brass
- Soft, diffused light through the opalized glass
- Award winning design

Glossy is the epitome of tasteful and sophisticated design. The Danish designer, Maria Berntsen, has created a table lamp that oozes of Nordic minimalism, and where the combination of the exclusive materials, marble, brass and opal white glass contribute to an incredibly elegant design. Glossy is named after the shiny surface of the opal white glass, which lets a soft and comfortable light shine through.

Marble is a unique natural material and therefore lines, colours and patterns may vary from lamp to lamp. This is a part of the charm of working with natural materials.