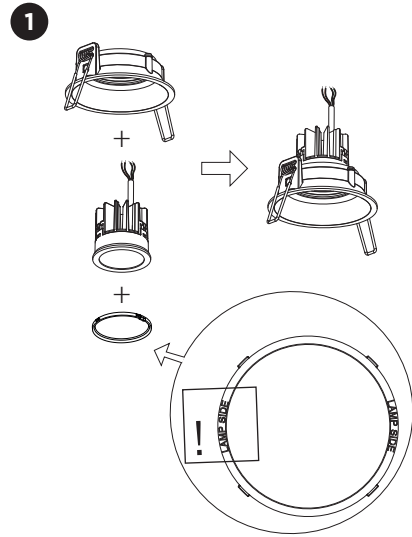


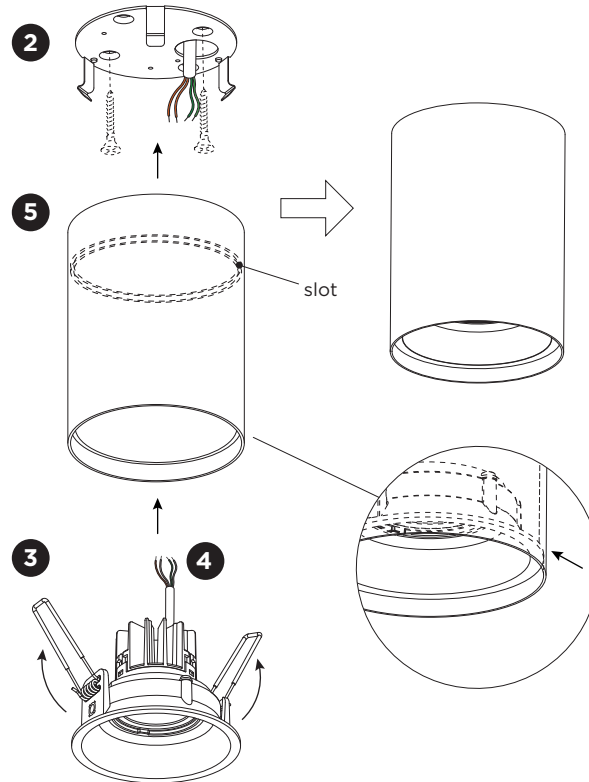
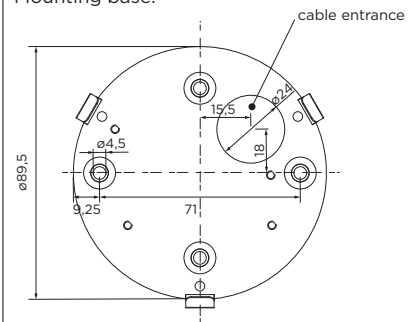
SOLID ceiling surface

INSTALLATION INSTRUCTIONS | JUNE 2024

First assemble the LED module and assembly set.



Mounting base:



Power must be turned off before connecting the cables.

DIMENSIONS



1.0 Loxone

MOUNTING INSTRUCTION

- 1 Assemble the LED module and assembly set.
- 2 Mount the base plate to the ceiling with screws (screws are not included).
- 3 Push the springs up and insert the assembled part in the tube until it touches the step.
- 4 **POWER CONNECTION**
Connect the wires to the connectors.
Input voltage 20-28V.

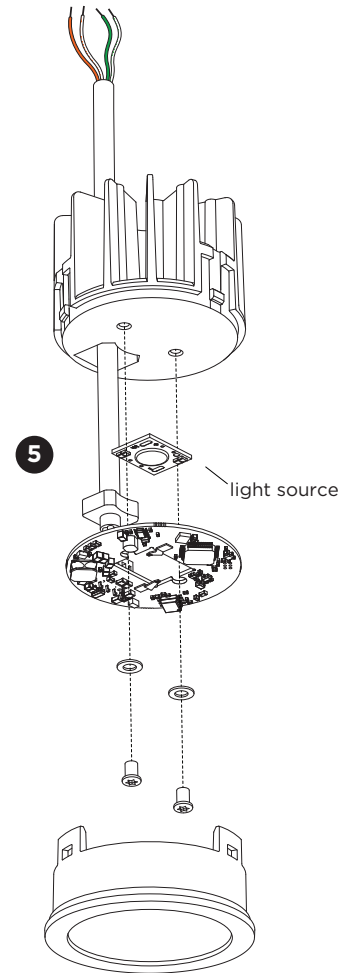
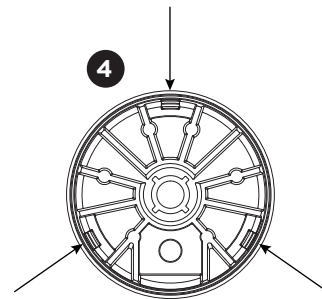
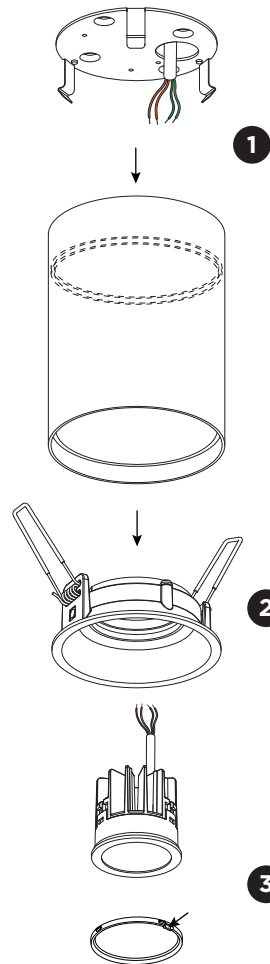
 +24V orange	 Tree+ green
 GND orange/white	 Tree- green/white
- 5 Attach the tube to the mounting base by sliding it over completely against the ceiling.
Note: the side with the slot should be upwards to lock the springs of the ceiling base plate.

This fixture only works with Loxone TREE.



SOLID ceiling surface

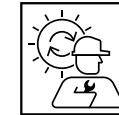
INSTALLATION INSTRUCTIONS | JUNE 2024



DISMOUNTING AND RECYCLING INSTRUCTIONS

Light source

- 1 Pull down the luminaire from the ceiling base and disconnect the wires.
- 2 Remove the assembly set and LED module from the tube.
- 3 Push in the slot of the spring clip and pull it down to remove the LED module
- 4 Push at the three points to loosen the front ring.
- 5 Unscrew the light source to remove it.



The light source is replaceable by Wever & Ducré or by a professional with explicit authorisation. For more information please contact your local Wever & Ducré customer service point.



This luminaire contains a light source with the energy class F.



WEVER & DUCRÉ
LIGHTING

WEVER & DUCRÉ BV
Spinnerijstraat 99/21, 8500 Kortrijk, Belgium
weverducre.com