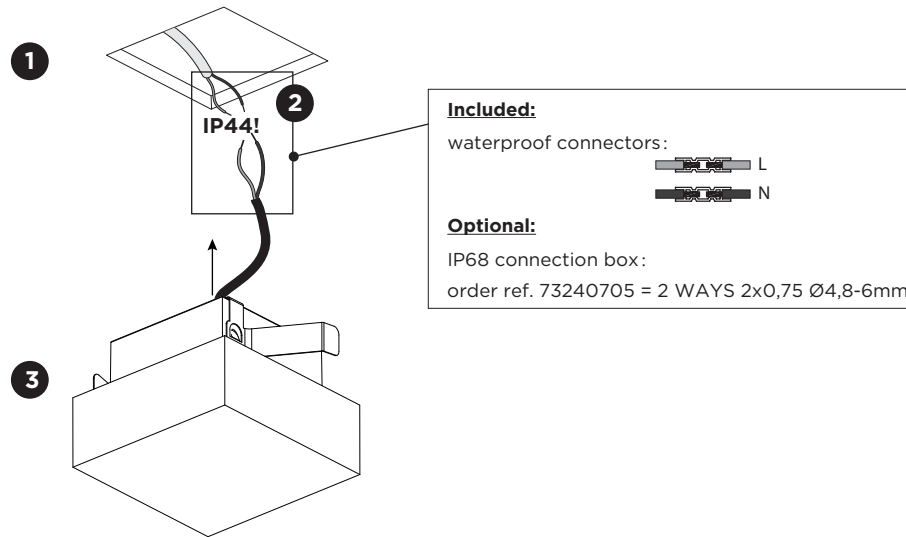
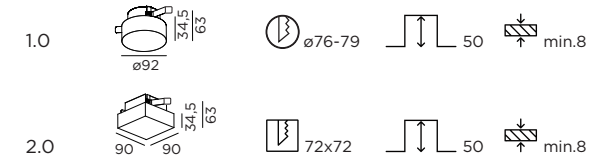


MIRBI IP44

INSTALLATION INSTRUCTIONS | JULY 2022



DIMENSIONS

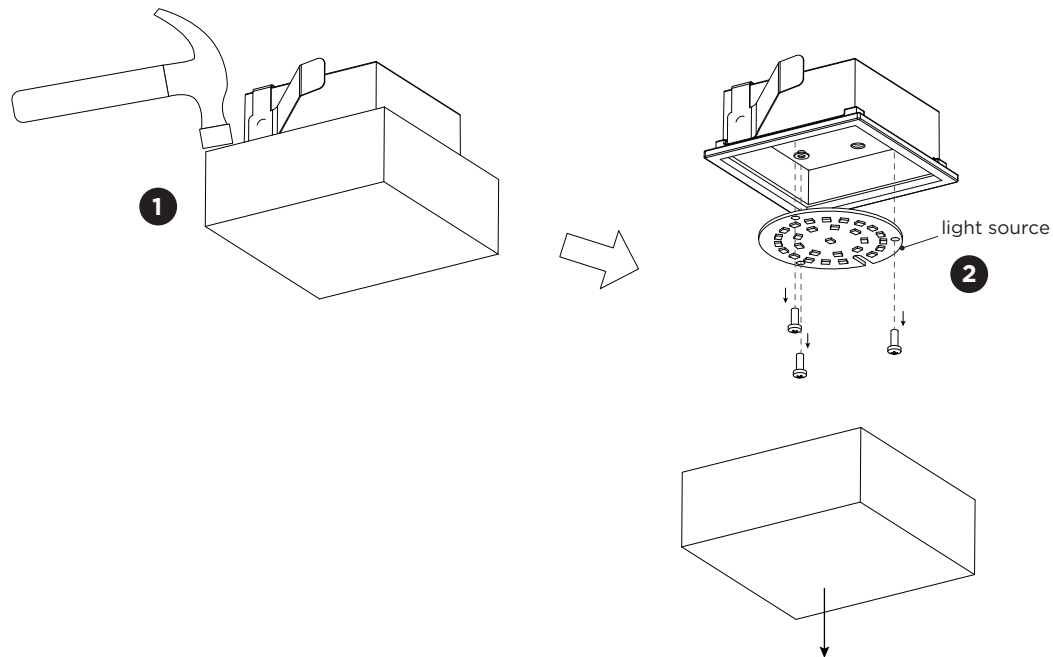


MOUNTING INSTRUCTION

- 1** Make a hole in the ceiling according to the prescribed dimensions.
- 2** **POWER CONNECTION**
Connect to 220-240V.
Please see the detail method in the separate instruction sheet of waterproof connection. Make sure to use a waterproof connection with the same IP rating as the luminaire.
- 3** Push the springs towards the luminaire and insert the fixture in the hole.

MIRBI IP44

INSTALLATION INSTRUCTIONS | JULY 2022

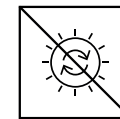


DISMOUNTING INSTRUCTIONS

Light source

- 1 Forced remove the PMMA cover using any available tools.
- 2 Remove the screws, disconnect the wires and take out the light source.

The light source is not replaceable.



This luminaire contains a light source with the energy class F.

