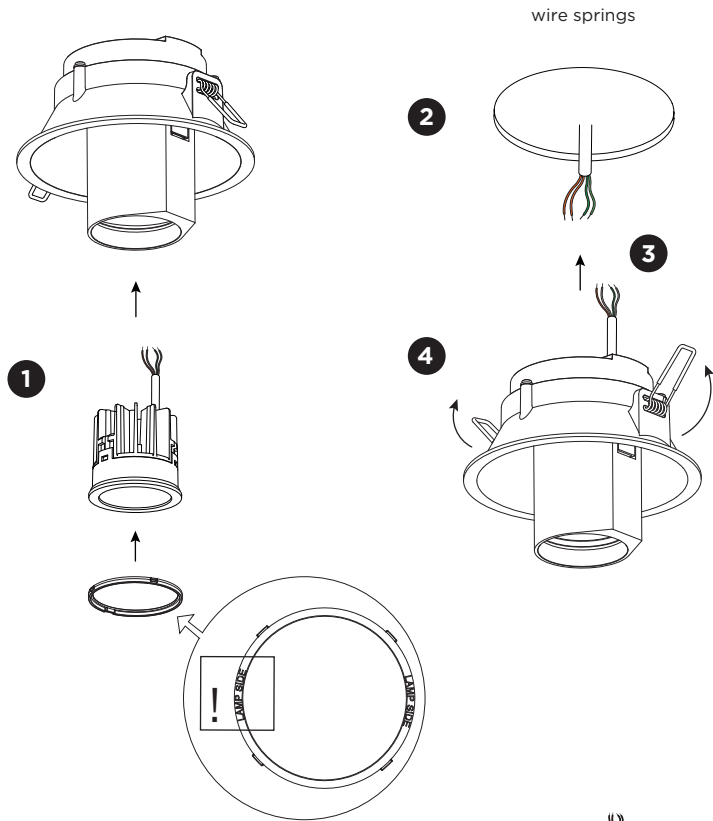


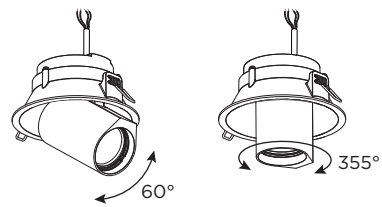
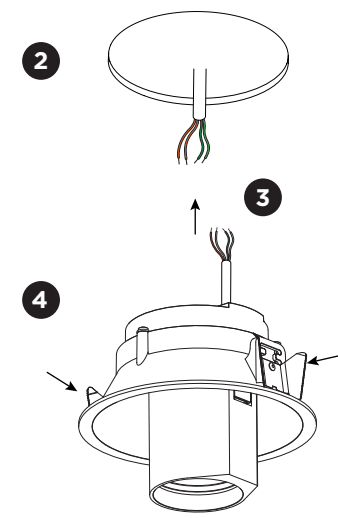
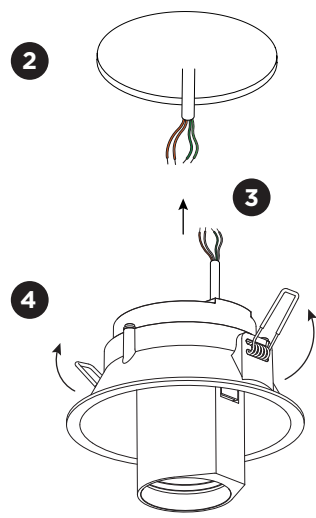
BLIEK ROUND



INSTALLATION INSTRUCTIONS | JULY 2024



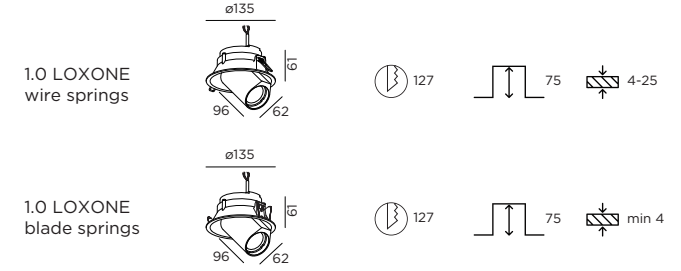
wire springs

blade springs



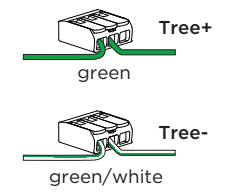
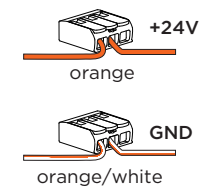
 
Power must be turned off before connecting the cables.

DIMENSIONS



MOUNTING INSTRUCTION

- Put the LED module in the assembly set and fix it with the spring clip.
- Make a hole in the ceiling according to the prescribed dimensions.
- POWER CONNECTION**
Connect the wires to the connectors.
Input voltage 20-28V.



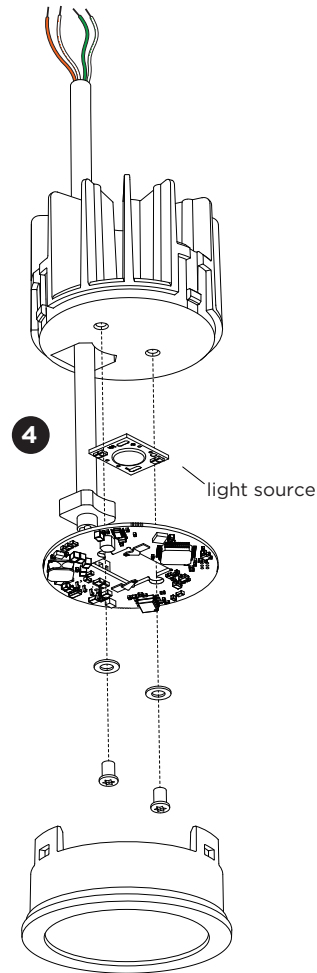
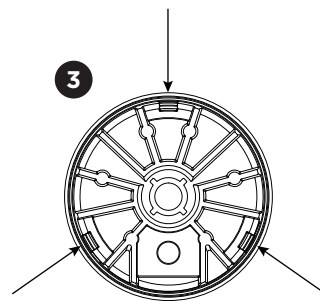
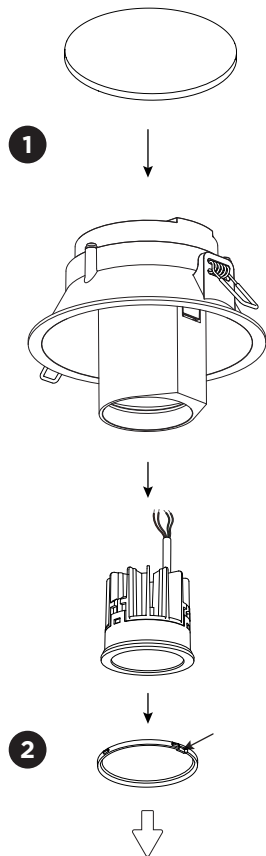
- For wire springs:
Push the springs upwards and insert the fixture in the ceiling hole.
- For blade springs:
Push the springs towards the fixture when inserting the fixture in the ceiling hole.

This fixture only works with Loxone TREE.



BLIEK ROUND

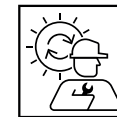
INSTALLATION INSTRUCTIONS | JULY 2024



DISMOUNTING AND RECYCLING INSTRUCTIONS

Light source

- 1 Remove the fixture from the ceiling and disconnect the wires.
- 2 Push in the slot of the spring clip and pull it down to remove the LED module.
- 3 Push at the three points to loosen the front ring.
- 4 Unscrew the light source to remove it.



The light source is replaceable by Wever & Ducré or by a professional with explicit authorisation. For more information please contact your local Wever & Ducré customer service point.



This luminaire contains a light source with the energy class F.