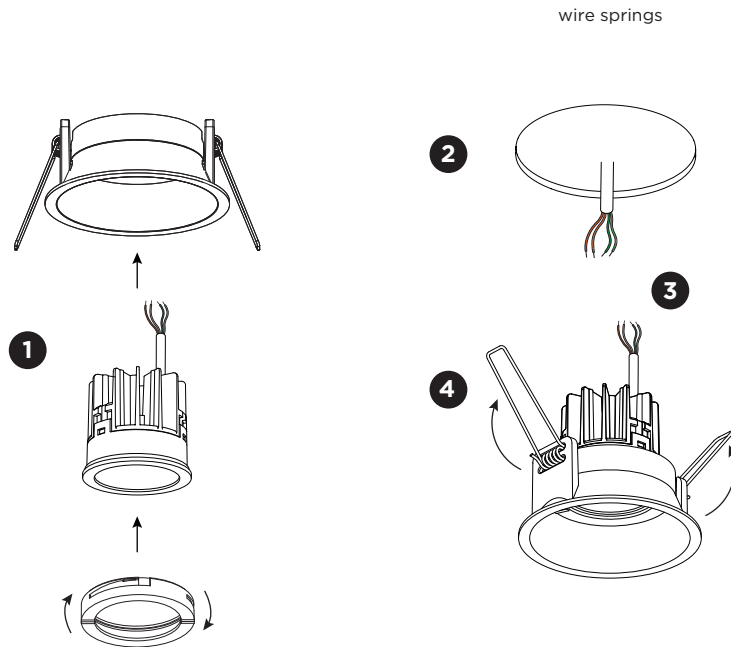


# DEEP IP44

INSTALLATION INSTRUCTIONS | AUGUST 2024

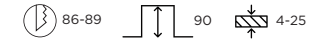


wire springs

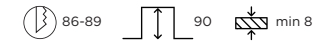
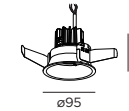
blade springs

## DIMENSIONS

1.0 LOXONE  
wire springs

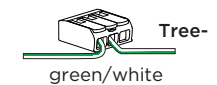


1.0 LOXONE  
blade springs



## MOUNTING INSTRUCTION

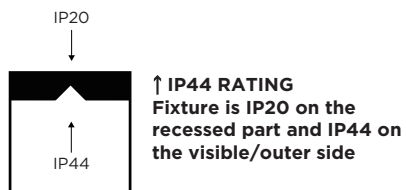
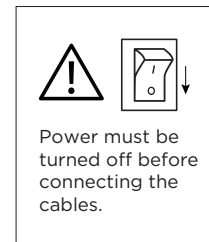
- Put the light source in the assembly set by locking the lamp ring in the housing by turning it a quarter clockwise.
- Make a hole in the ceiling according to the prescribed dimensions.
- POWER CONNECTION**  
Connect the wires to the connectors.  
Input voltage 20-28V.



- For wire springs:  
Push the springs upwards and insert the fixture in the ceiling hole.

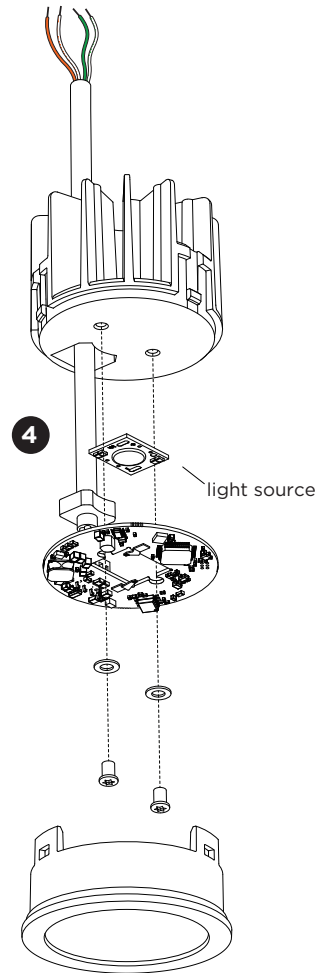
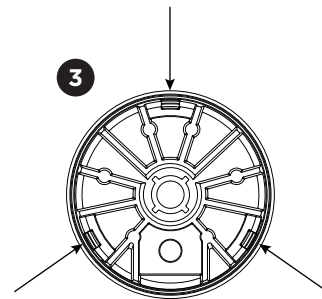
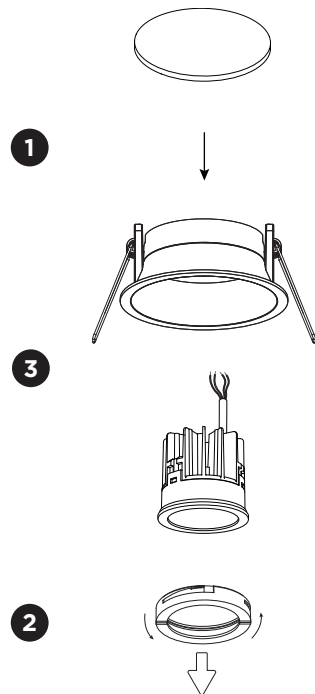
For blade springs:  
Push the springs towards the fixture when inserting the fixture in the ceiling hole.

This fixture only works with Loxone TREE.



# DEEP IP44

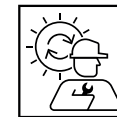
INSTALLATION INSTRUCTIONS | AUGUST 2024



## DISMOUNTING AND RECYCLING INSTRUCTIONS

Light source

- 1 Remove the fixture from the ceiling and disconnect the wires.
- 2 Hold and turn the front ring a quarter counterclockwise to remove the LED module.
- 3 Push at the three points to loosen the cover with lens.
- 4 Unscrew the light source to remove it.



The light source is replaceable by Wever & Ducré or by a professional with explicit authorisation. For more information please contact your local Wever & Ducré customer service point.



This luminaire contains a light source with the energy class F.



WEVER & DUCRÉ  
LIGHTING

WEVER & DUCRÉ BV

Spinnerijstraat 99/21, 8500 Kortrijk, Belgium  
weverducre.com