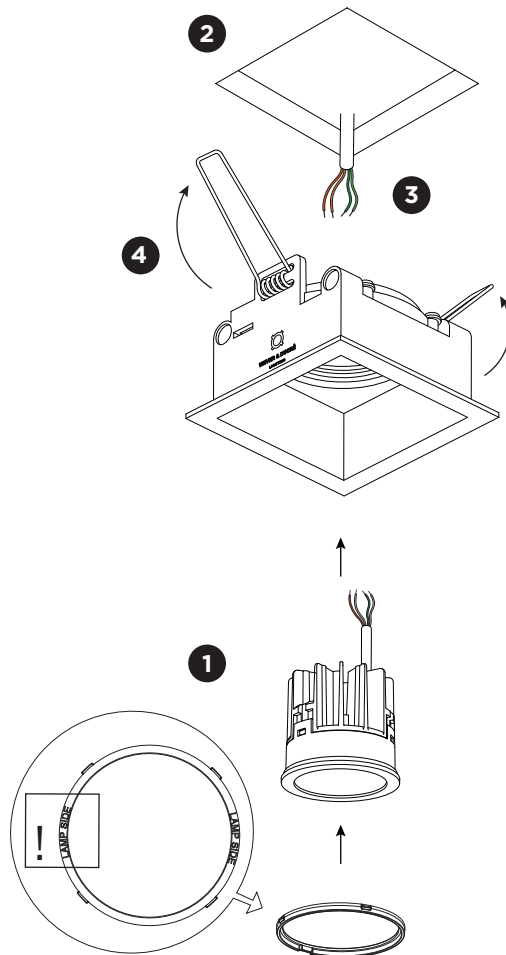
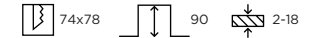
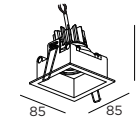


PLANO 1.0

INSTALLATION INSTRUCTIONS | JULY 2024



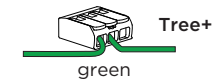
DIMENSIONS



1.0 LOXONE

MOUNTING INSTRUCTION

- 1 Put the LED module in the assembly set and fix it with the spring clip.
- 2 Make a hole in the ceiling according to the prescribed dimensions.
- 3 **POWER CONNECTION**
Connect the wires to the connectors.
Input voltage 20-28V.



- 4 Push the springs upwards and insert the fixture in the ceiling hole.



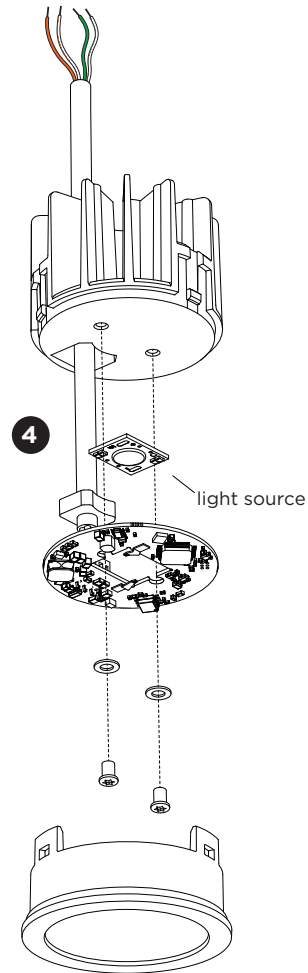
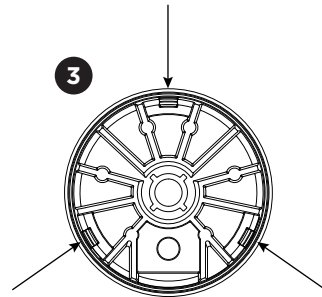
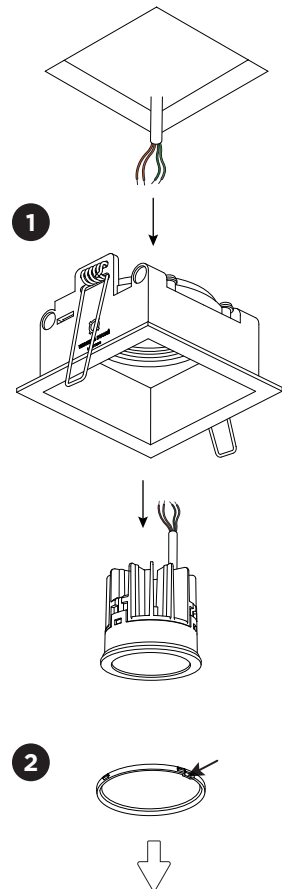
Power must be turned off before connecting the cables.

This fixture only works with Loxone TREE.



PLANO 1.0

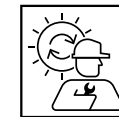
INSTALLATION INSTRUCTIONS | JULY 2024



DISMOUNTING AND RECYCLING INSTRUCTIONS

Light source

- 1 Remove the fixture from the ceiling and disconnect the wires.
- 2 Push in the slot of the spring clip and pull it down to remove the LED module.
- 3 Push at the three points to loosen the front ring.
- 4 Unscrew the light source to remove it.



The light source is replaceable by Wever & Ducré or by a professional with explicit authorisation. For more information please contact your local Wever & Ducré customer service point.



This luminaire contains a light source with the energy class F.