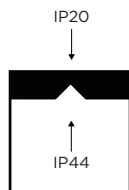
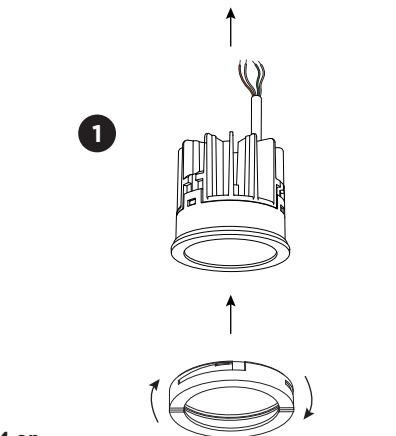
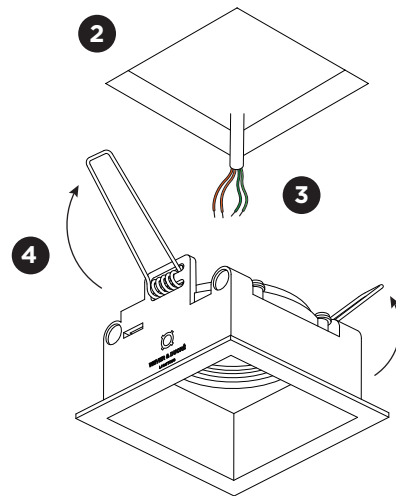


# PLANO IP44

INSTALLATION INSTRUCTIONS | AUGUST 2024



↑ IP44 RATING  
Fixture is IP20 on the recessed part and IP44 on the visible/outer side

## DIMENSIONS



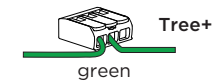
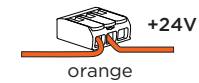
1.0 LOXONE

## MOUNTING INSTRUCTION

- 1 Put the light source in the assembly set by locking the lamp ring in the housing by turning it a quarter clockwise.
- 2 Make a hole in the ceiling according to the prescribed dimensions.
- 3

## POWER CONNECTION

Connect the wires to the connectors.  
Input voltage 20-28V.



- 4 Push the springs upwards and insert the fixture in the ceiling hole.



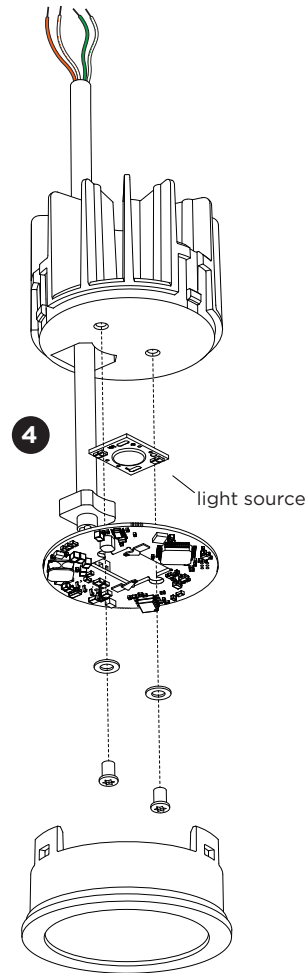
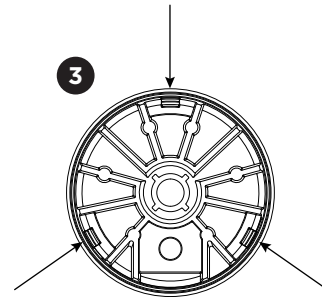
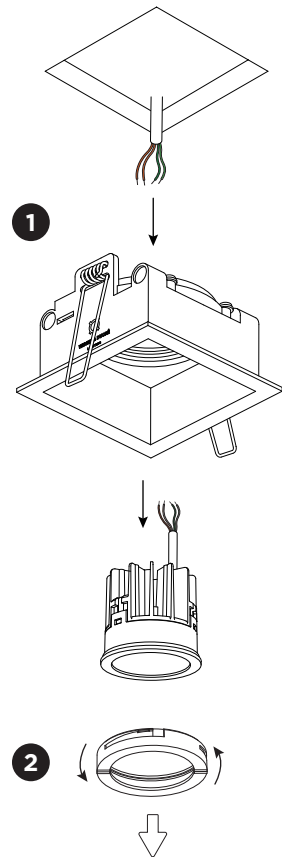
Power must be turned off before connecting the cables.

This fixture only works with Loxone TREE.



# PLANO IP44

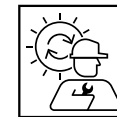
INSTALLATION INSTRUCTIONS | AUGUST 2024



## DISMOUNTING AND RECYCLING INSTRUCTIONS

Light source

- 1 Remove the fixture from the ceiling and disconnect the wires.
- 2 Hold and turn the front ring a quarter counterclockwise to remove the LED module.
- 3 Push at the three points to loosen the front ring.
- 4 Unscrew the light source to remove it.



The light source is replaceable by Wever & Ducré or by a professional with explicit authorisation. For more information please contact your local Wever & Ducré customer service point.



This luminaire contains a light source with the energy class F.



WEVER & DUCRÉ  
LIGHTING

WEVER & DUCRÉ BV

Spinnerijstraat 99/21, 8500 Kortrijk, Belgium  
weverducre.com