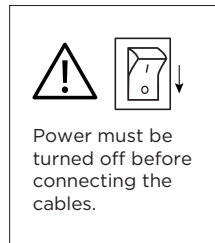
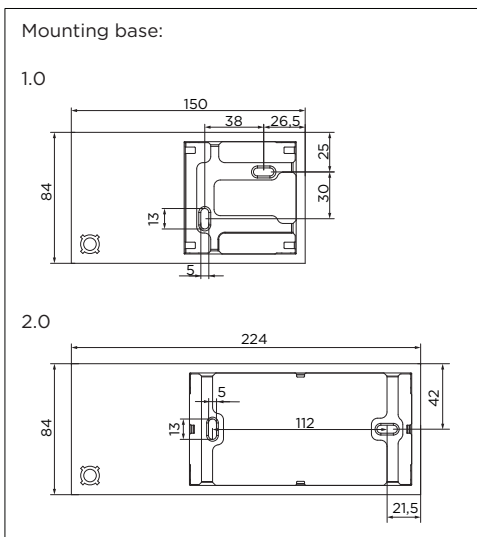
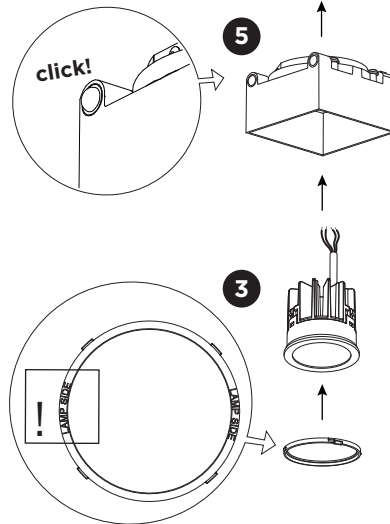
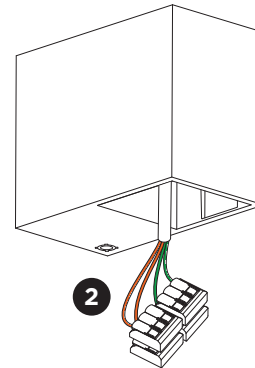
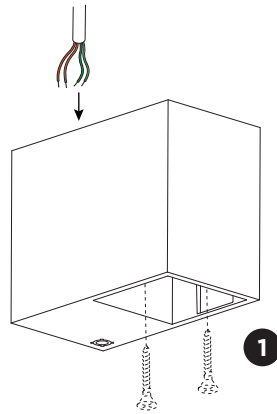
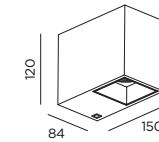


PLANO ceiling surface

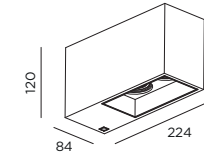
INSTALLATION INSTRUCTIONS | JUNE 2024



DIMENSIONS







1.0 Loxone



2.0 Loxone

MOUNTING INSTRUCTION

- 1** Mount the base to the ceiling with screws (screws are not included).
- 2 POWER CONNECTION**
Connect the wires from the ceiling to the connectors.
Input voltage 20-28V.

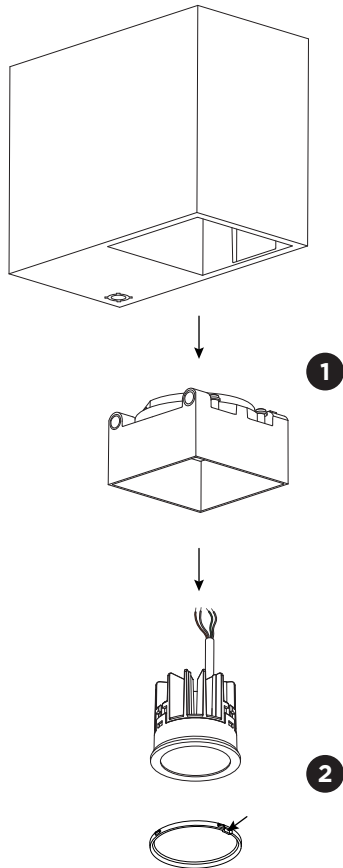
 +24V orange	 Tree+ green
 GND orange/white	 Tree- green/white
- 3** Fix the LED module(s) in the housing with the spring clip(s).
- 4** Connect the wires from the LED module(s) to the connectors.
See point 2.
- 5** Click the fixture into the mounting base.

This fixture only works with Loxone TREE.



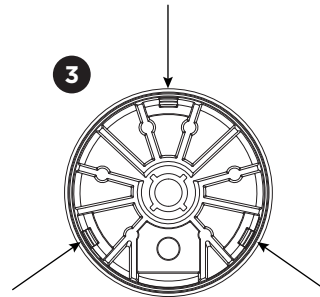
PLANO ceiling surface

INSTALLATION INSTRUCTIONS | JUNE 2024

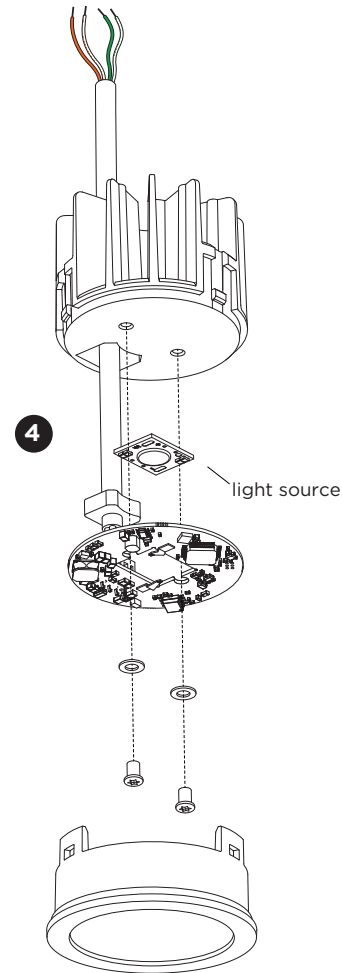


1

2



3



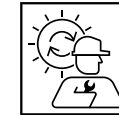
4



DISMOUNTING AND RECYCLING INSTRUCTIONS

Light source

- 1 Pull down the fixture from the mounting base and disconnect the wires.
- 2 Push in the slot of the spring clip and pull it down to remove the LED module
- 3 Push at the three points to loosen the front ring.
- 4 Unscrew the light source to remove it.



The light source is replaceable by Wever & Ducré or by a professional with explicit authorisation. For more information please contact your local Wever & Ducré customer service point.



This luminaire contains a light source with the energy class F.