

s28 C

factsheet

sCharge PoE FIT USB-C



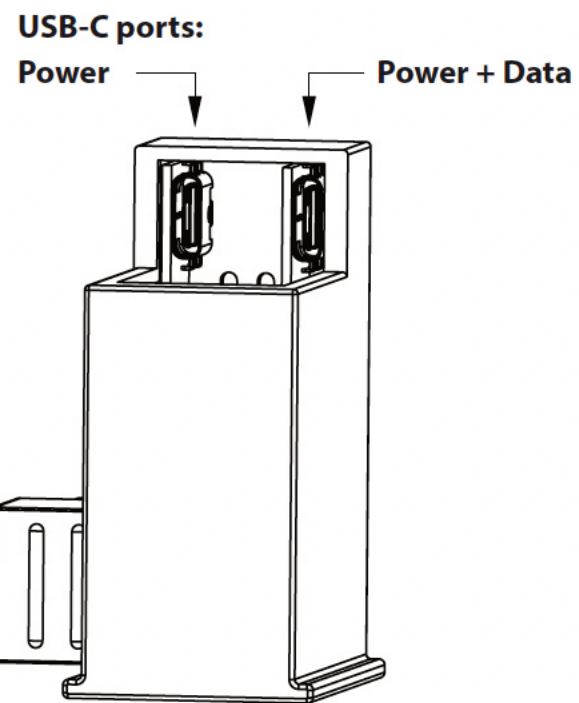
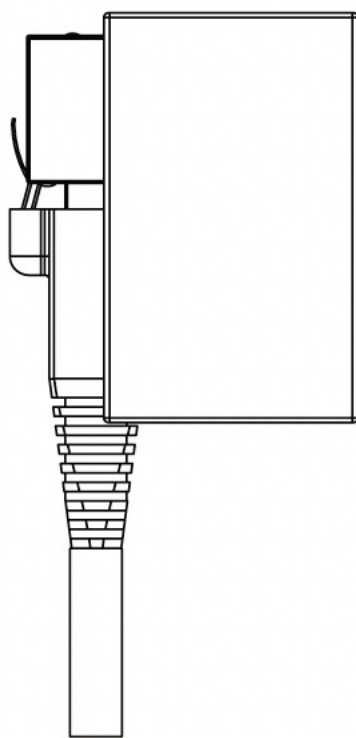
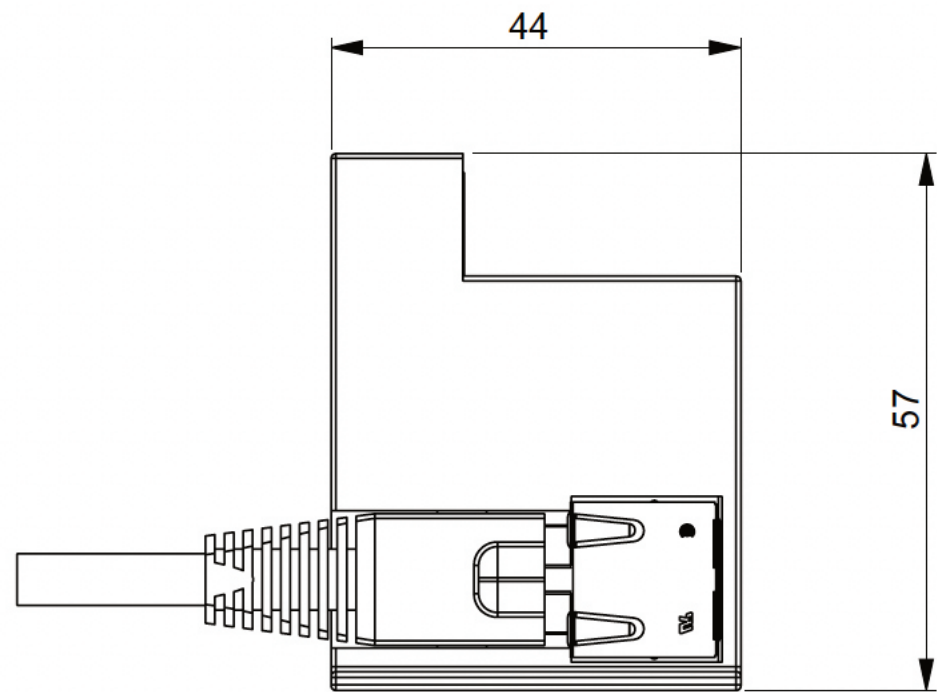
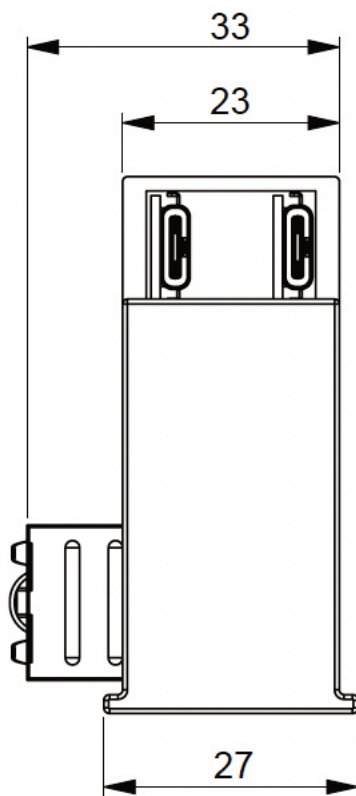
Fits into a 60 mm deep EU wall box or US single gang wall box

Product name	sCharge PoE FIT C																						
Short name	s28 C																						
EAN code	4260258612288																						
Manuf. part no.	sCh-PoE-FIT-C-1.0																						
Description	<p>USB Type C Power and Data on IEEE 802.3at Power Over Ethernet</p> <ul style="list-style-type: none">- Fits into a 60 mm deep EU wall box or US single gang wall box; cable length can be adjusted.- Dual USB-C ports: A for Power + B for Data or Power only; see page 2- 30 cm USB-C to USB-C cable included; 150 and 300 cm lengths available.- Provides Power Delivery Profiles: 5 volt, 9 volt, 12 volt, 15 volt, and 20 volt- Compatible with iPads with USB-C connector, Microsoft Surface Go, Samsung Tab A/S and more.- Requires PoE+ or IEEE 802.3at power- Developed in cooperation between PoE Texas and smart things. PoE Texas patents pending.																						
Technical Data	<table><tr><td>Uplink Port</td><td>IEEE 802.3af and at full duplex data rate</td></tr><tr><td>Port USB-C Power+Data</td><td>Role swappable, USB 2.0, USB-C PD 3.0 up to 25 watts 95 Mbps</td></tr><tr><td>Port USB-C Power</td><td>USB-C PD 3.0 up to 25 watts</td></tr><tr><td>LED Indicator</td><td>Negotiated power status</td></tr><tr><td>Operating Temperature</td><td>-10°C - 60°C</td></tr><tr><td>Operating Humidity</td><td>5% - 95% (Non-condensing)</td></tr><tr><td>PoE Standard</td><td>IEEE 802.3af/at/ (PSE)</td></tr><tr><td>PoE Line Pair</td><td>1/2/3/4/5(+) or 3/6/7/8 (-)</td></tr><tr><td>USB-C PD Profiles</td><td>5v 2.6 A, 9 v 1.78 A, 12 v 1.34A, 15 v 1.37 A, 20 v 1.15 A</td></tr><tr><td>Weight</td><td>70g (2.4 oz.)</td></tr><tr><td>Cable Lengths</td><td>0.3 m included in the box; 1.5 m or 3m available</td></tr></table>	Uplink Port	IEEE 802.3af and at full duplex data rate	Port USB-C Power+Data	Role swappable, USB 2.0, USB-C PD 3.0 up to 25 watts 95 Mbps	Port USB-C Power	USB-C PD 3.0 up to 25 watts	LED Indicator	Negotiated power status	Operating Temperature	-10°C - 60°C	Operating Humidity	5% - 95% (Non-condensing)	PoE Standard	IEEE 802.3af/at/ (PSE)	PoE Line Pair	1/2/3/4/5(+) or 3/6/7/8 (-)	USB-C PD Profiles	5v 2.6 A, 9 v 1.78 A, 12 v 1.34A, 15 v 1.37 A, 20 v 1.15 A	Weight	70g (2.4 oz.)	Cable Lengths	0.3 m included in the box; 1.5 m or 3m available
Uplink Port	IEEE 802.3af and at full duplex data rate																						
Port USB-C Power+Data	Role swappable, USB 2.0, USB-C PD 3.0 up to 25 watts 95 Mbps																						
Port USB-C Power	USB-C PD 3.0 up to 25 watts																						
LED Indicator	Negotiated power status																						
Operating Temperature	-10°C - 60°C																						
Operating Humidity	5% - 95% (Non-condensing)																						
PoE Standard	IEEE 802.3af/at/ (PSE)																						
PoE Line Pair	1/2/3/4/5(+) or 3/6/7/8 (-)																						
USB-C PD Profiles	5v 2.6 A, 9 v 1.78 A, 12 v 1.34A, 15 v 1.37 A, 20 v 1.15 A																						
Weight	70g (2.4 oz.)																						
Cable Lengths	0.3 m included in the box; 1.5 m or 3m available																						
Compatible	Compatible to smart things sDock Fix wall mount series with any IEEE 802.3af/at PoE switch or injector. Supports all USB-C iPads or Microsoft Surface Go, Samsung Tab A/S and more																						
Approvals	CE, FCC, RoHS.																						
Applications	Ideal for Wall mounted tablets or devices, Schedulers, Zoom Room, Gotomeeting, Webex, Skype and other Video Conferencing, POS Stations and Kiosks																						
Dimensions	57 x 44 x 35 mm (2.25" x 1.75" x 1.25")																						
Customs tariff no.	CN/8504 4090																						
Country of origin	China																						

s28 C

factsheet

sCharge PoE FIT USB-C



USB-C to USB-C 90° cable , 30 cm included